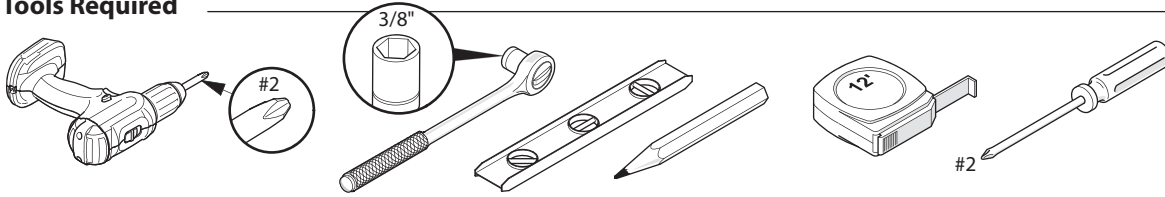


WALL MOUNT

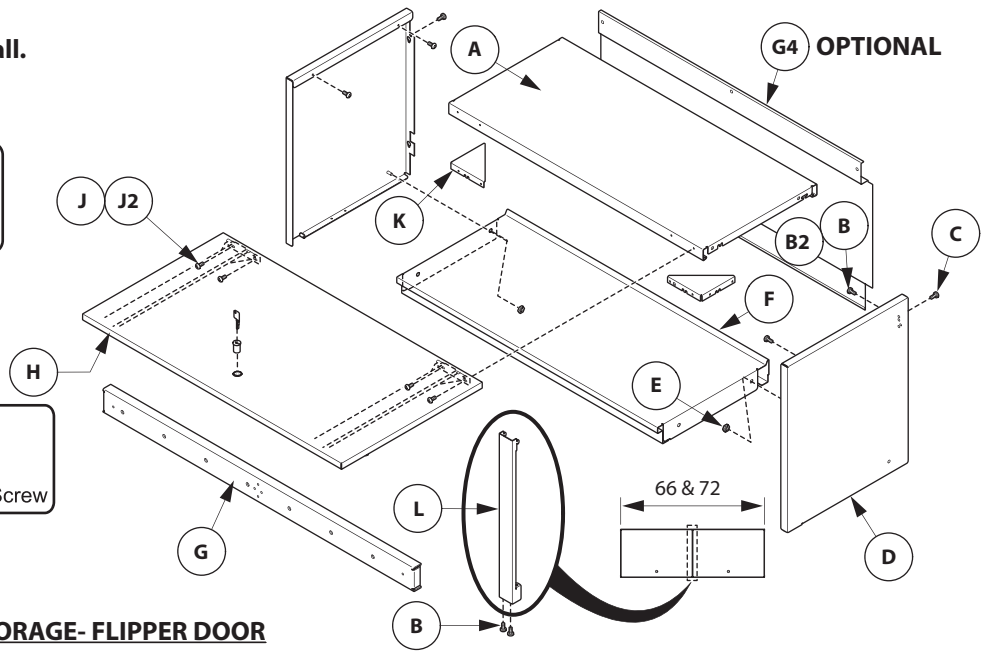
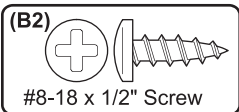
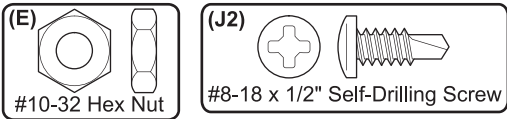
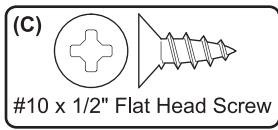
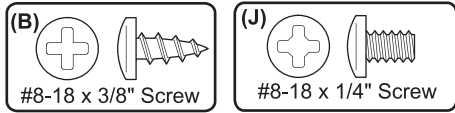
Adaptable Overhead Storage

Installation Instructions

Tools Required



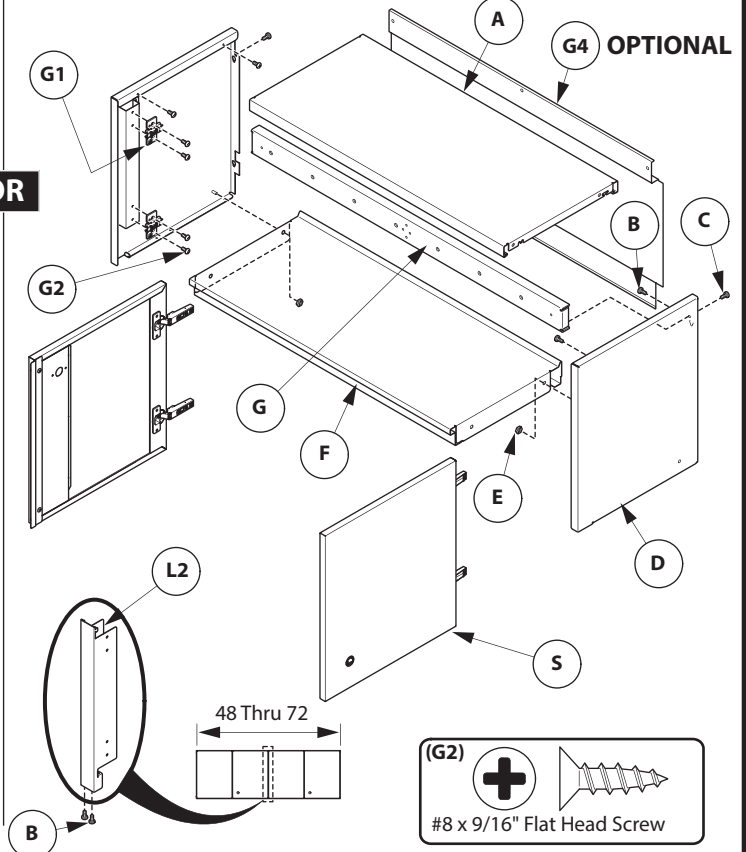
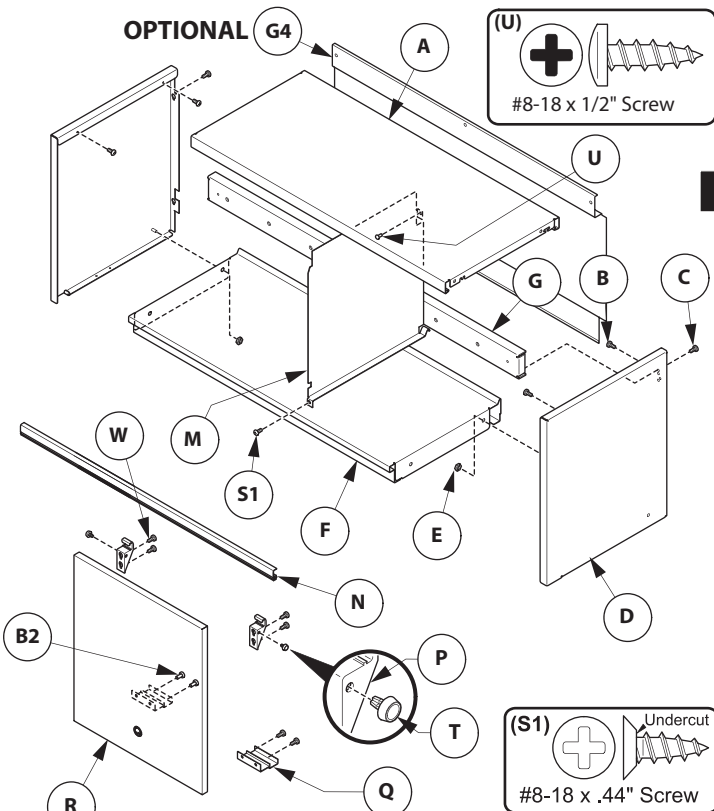
WARNING! Appropriate screws/bolts must be used to attach overhead to wall. Due to various wall constructions, fasteners are not provided.



OVERHEAD STORAGE- FLIPPER DOOR

OVERHEAD STORAGE - SLIDING DOOR

OVERHEAD STORAGE - SWING DOOR

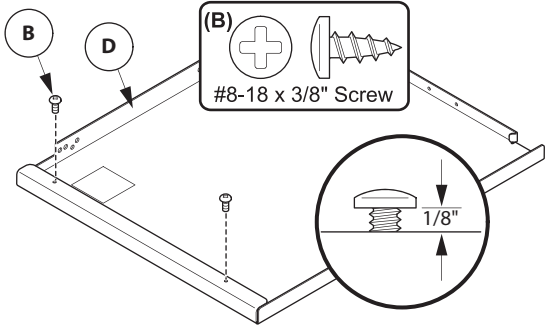


OR

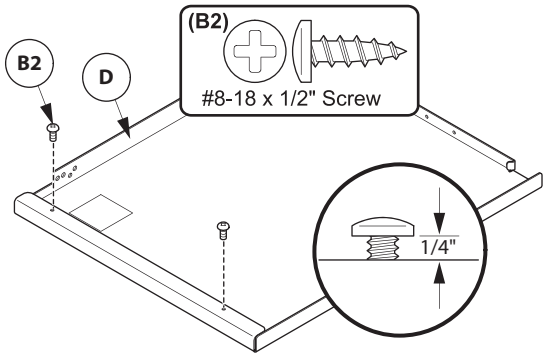
CUSTOMER SERVICE PHONE: 1-800-426-8562

1

Install screws (B)

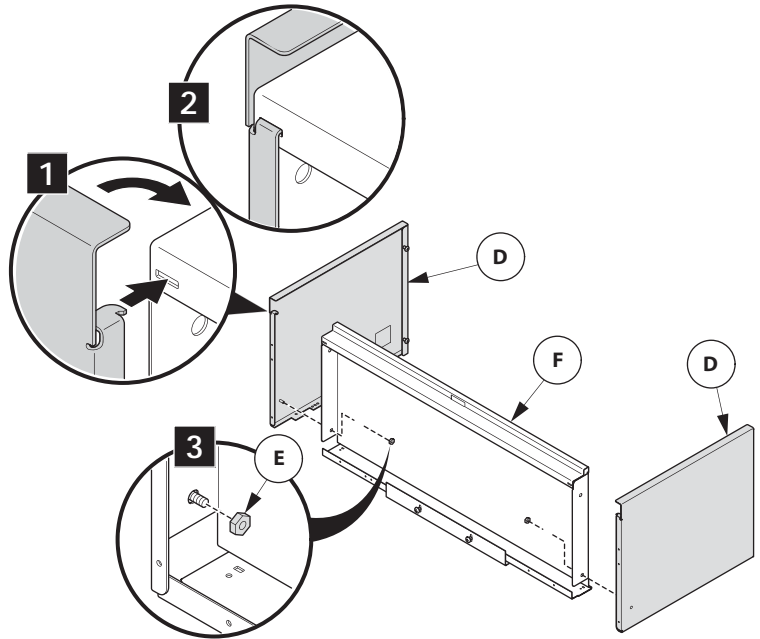
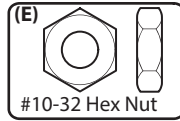


FOR SLOW CLOSE HINGE SUPPORT BRACKETS (K)



2

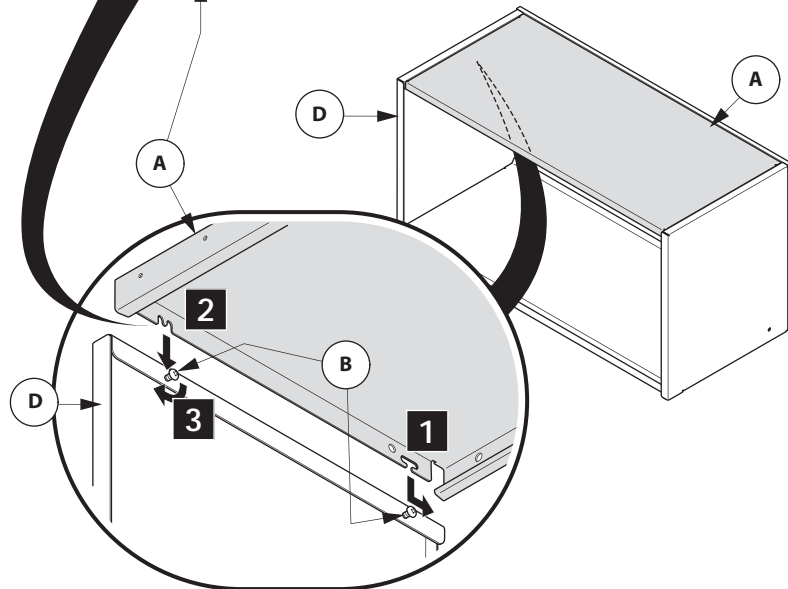
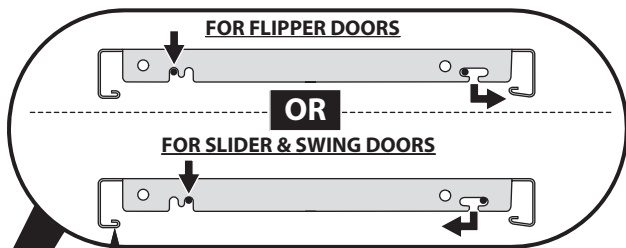
Install end panels (D) as shown



FOR ALL DOORS

3a

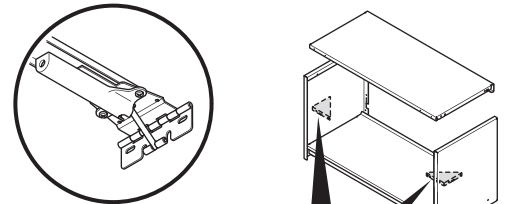
Install top (A) and tighten screws (B)



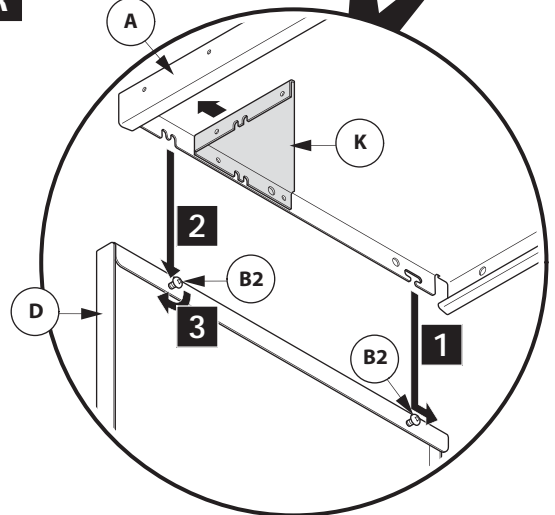
FOR SLOW CLOSE HINGE

3b

Install support brackets (K)



OR



CUSTOMER SERVICE PHONE: 1-800-426-8562

HAWORTH®

E.C.O. No: 244-385

Page: 2 of 8

Part No: 7029-9529

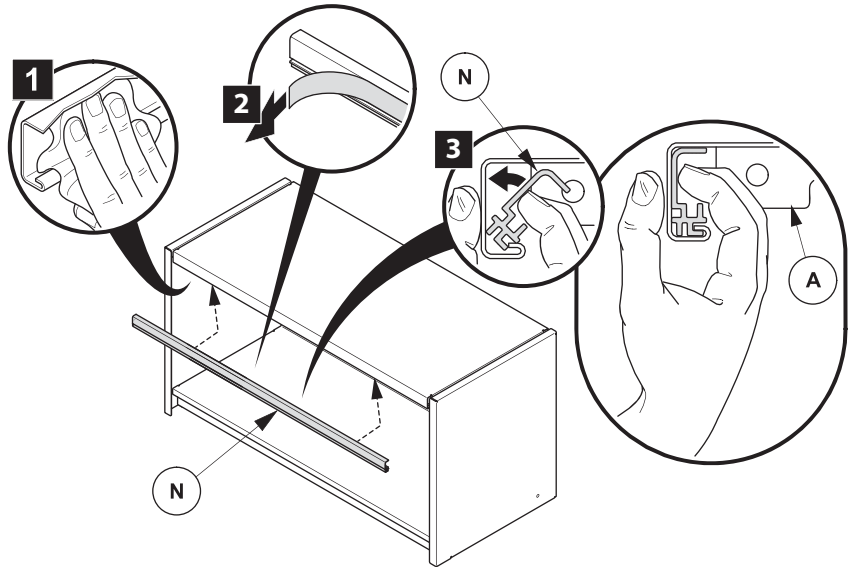
Rev: 1

FOR SLIDER DOOR INSTALLATION

4 Install plastic track (N)

NOTE: Wipe back of top with isopropyl alcohol.

NOTE: Only one chance to locate track (N) correctly. Pressure sensitive tape. Must be set to full length of track.



5 Locate holes using load bar (G) as template

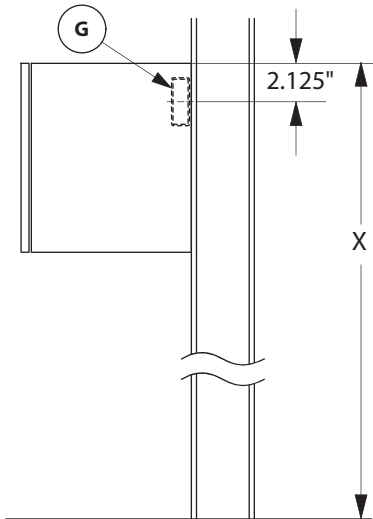
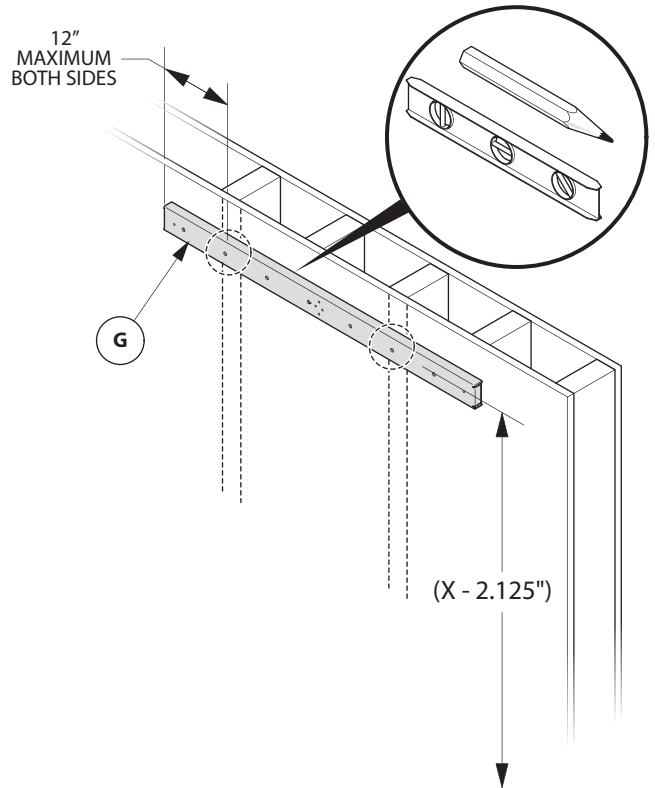
Specific Instructions for Wall Frame Construction

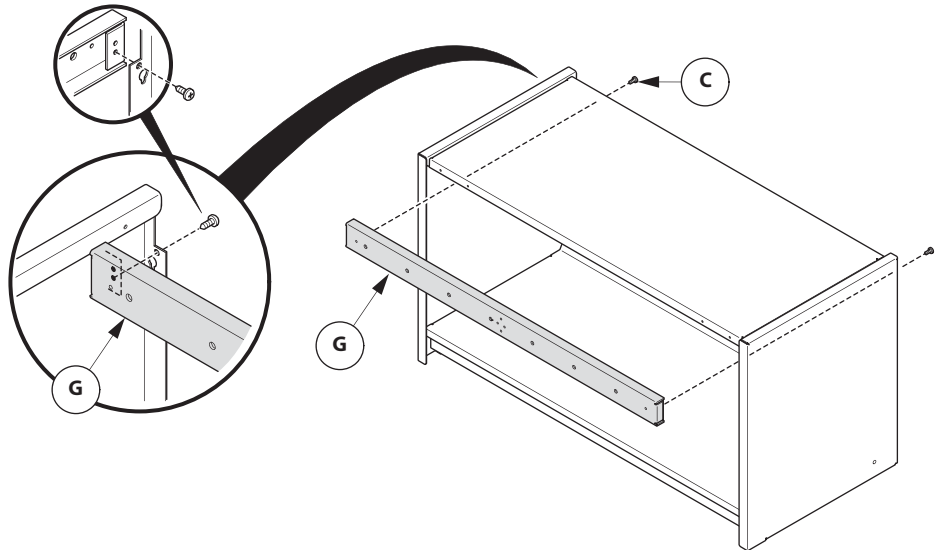
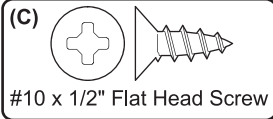
A. Wall with Wood Framing or 3/4" Plywood Surfaces:

Wall mount kits must be attached to either wood studs in wall or 3/4" thick plywood securely attached to studs. Attach the wall mount kit using #12 x 2-1/2" long pan head screws. Use longer screws if required to securely anchor the wall mount kit to the wood studs.

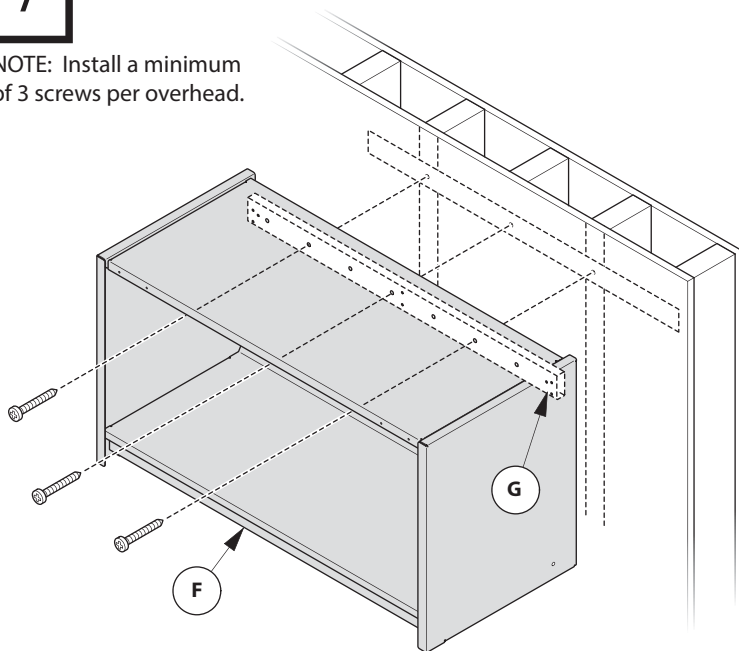
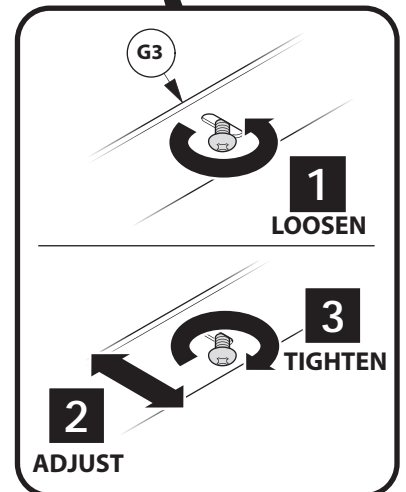
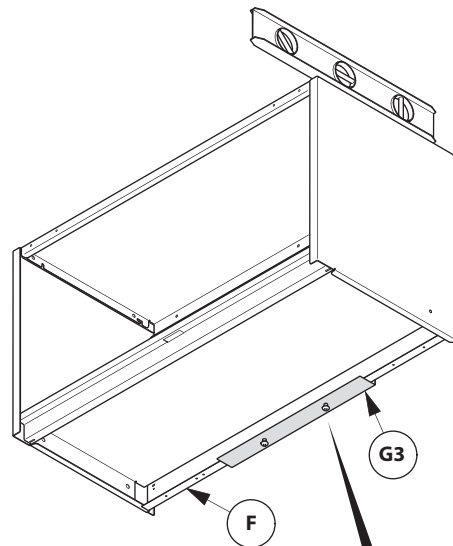
B. Walls with Gypsum Board, Sheet Rock or Wall Board with Metal Stud Framing:

Wall mount kit must be attached to metal studs. Use either 2" #10 sheet metal screws or 2" #10-24 TEKS self-drilling screws.



6**Install load bar (G)****7****Install OSU (F)**

NOTE: Install a minimum of 3 screws per overhead.

**8****If necessary adjust tilt (G3)**

CUSTOMER SERVICE PHONE: 1-800-426-8562

HAWORTH[®]

E.C.O. No: 244-385

Page: 4 of 8

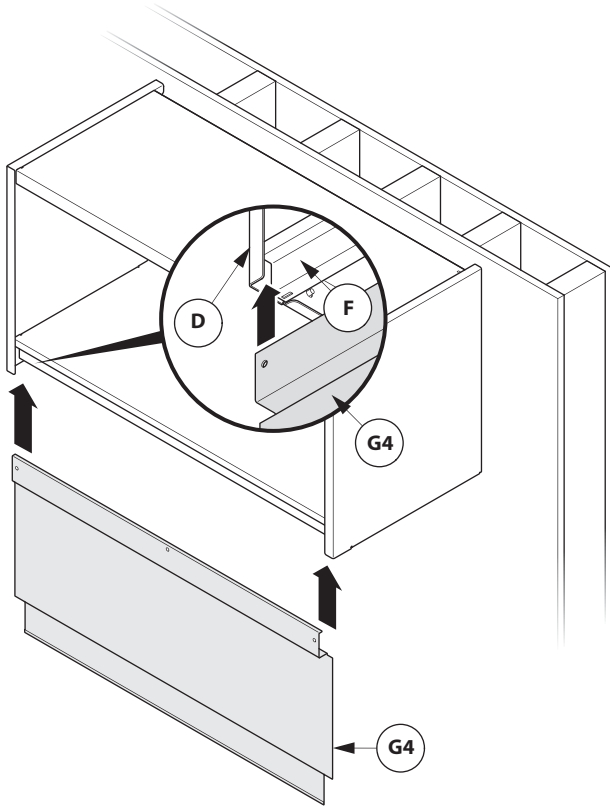
Part No: 7029-9529

Rev: 1

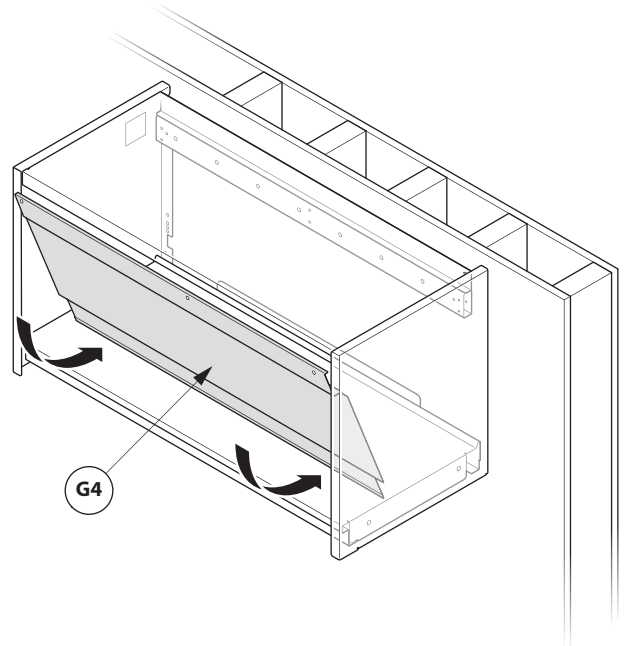
OPTIONAL: BACK INSTALLATION

9a

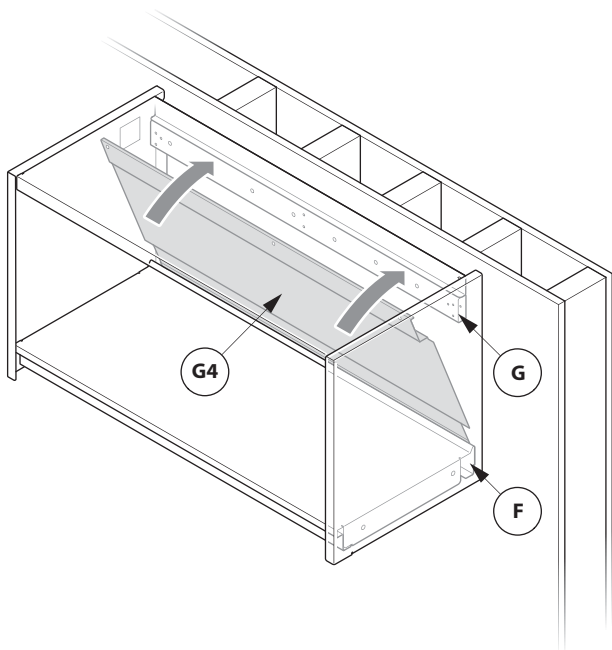
Install back (G4)



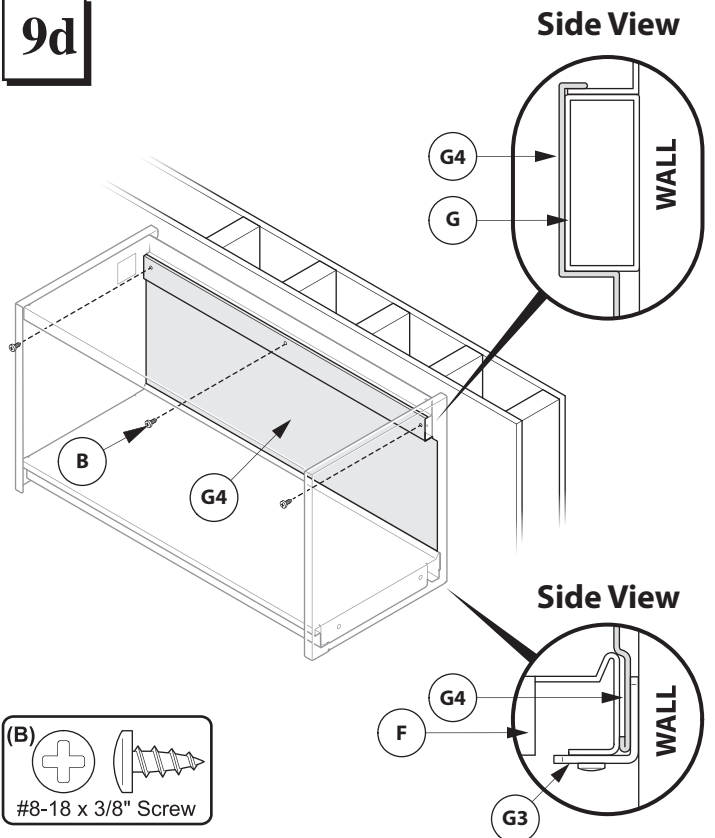
9b



9c



9d



CUSTOMER SERVICE PHONE: 1-800-426-8562

HAWORTH[®]

E.C.O. No: 244-385

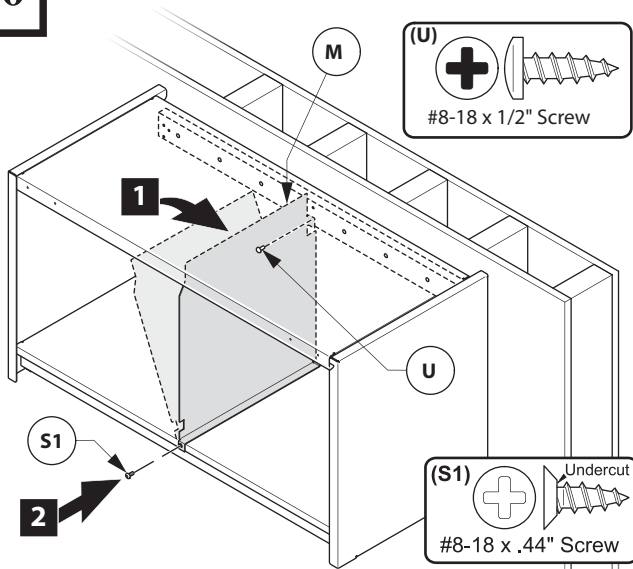
Page: 5 of 8

Part No: 7029-9529

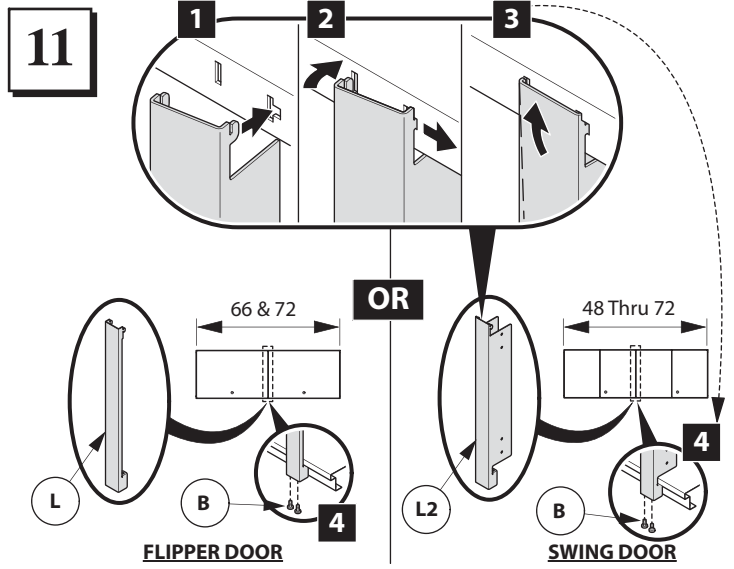
Rev: 1

10

Install divider (M) if using slider door.



FOR UNITS WITH MULTIPLE DOORS

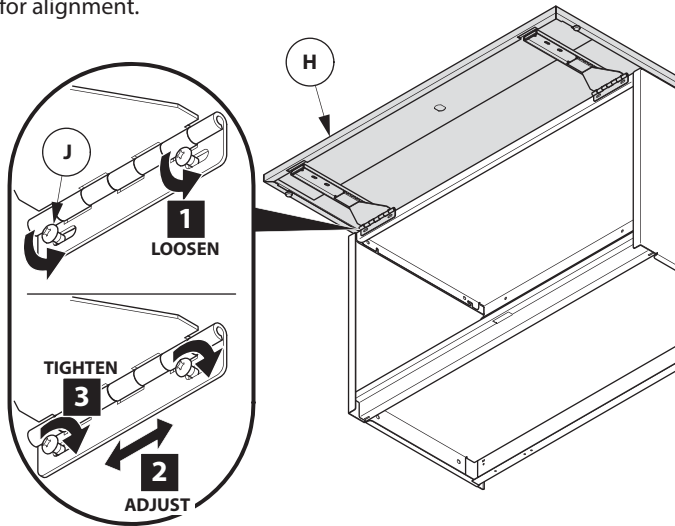
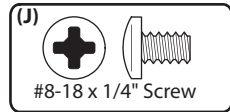


FOR STANDARD HINGE

12a

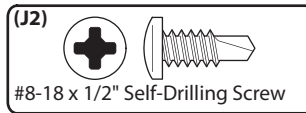
Install and adjust door (H) as needed

NOTE: If door (H) is misaligned from RIGHT to LEFT loosen screws (J) or (J2) and move the doors in the direction necessary for alignment.

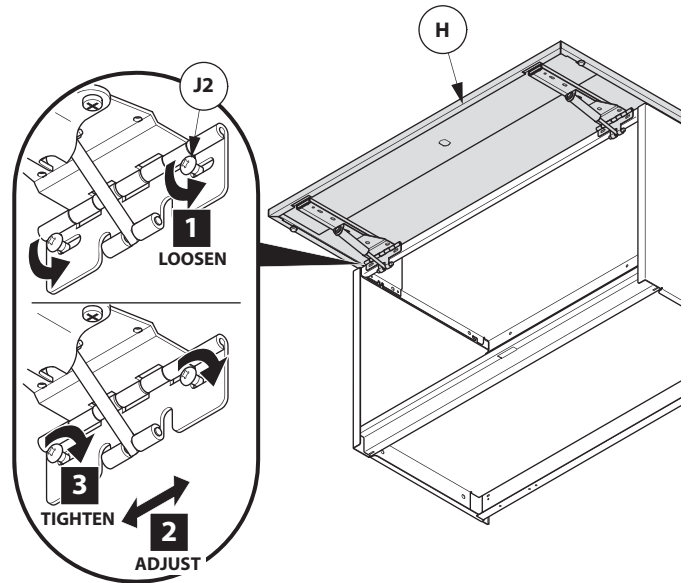


FOR SLOW CLOSE HINGE

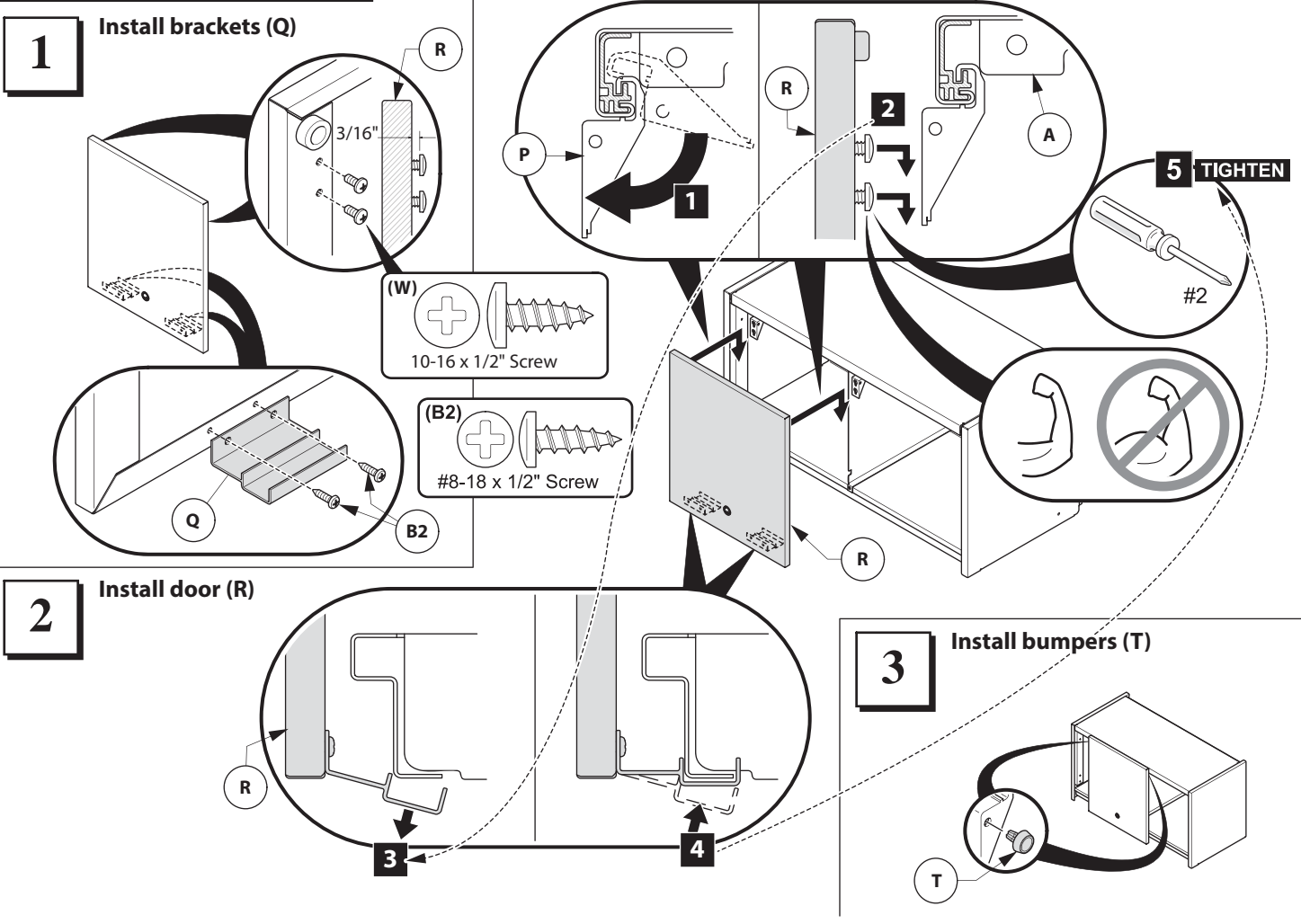
12b



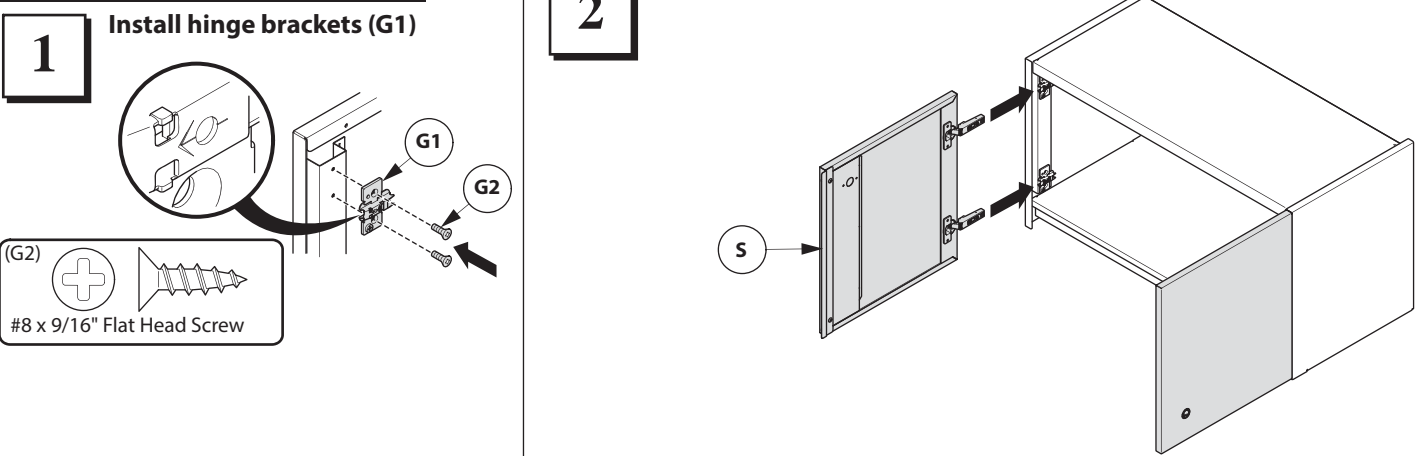
OR



FOR SLIDER DOOR INSTALLATION

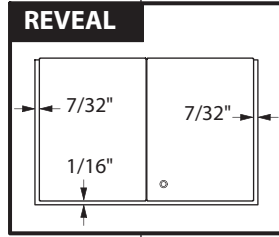
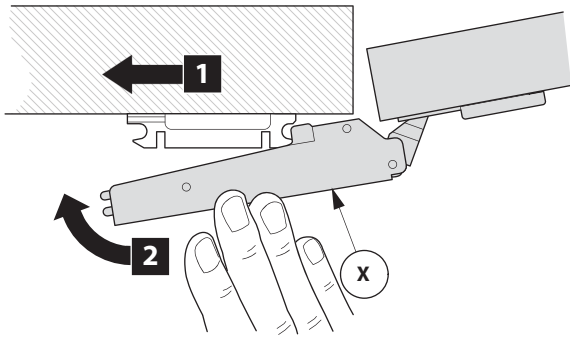


FOR SWING DOOR INSTALLATION

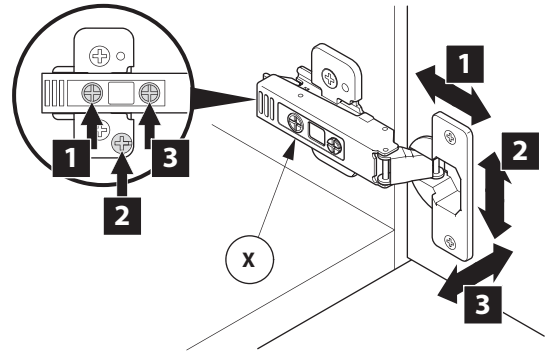


CUSTOMER SERVICE PHONE: 1-800-426-8562

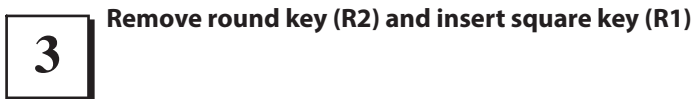
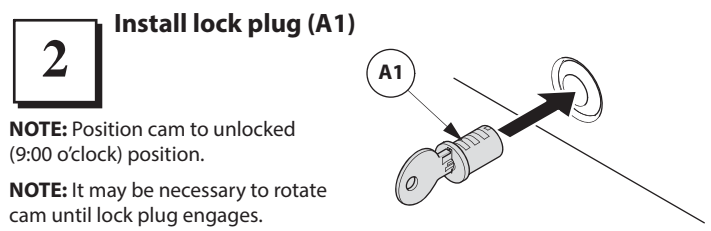
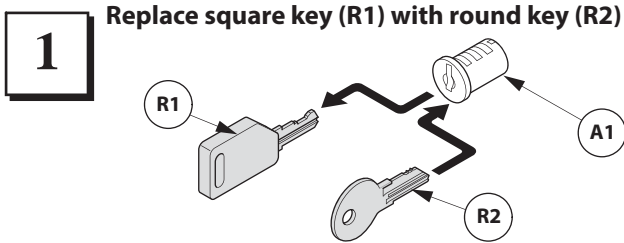
DOOR HINGE INSTALLATION/REMOVAL



DOOR HINGE ADJUSTMENT



OPTIONAL: LOCK PLUG INSTALLATION



NOTE: Hold the lock plug (A1) in place with thumb while removing the control key (R2).

